



InnoOSR 2.5" SATA SSD 3T07

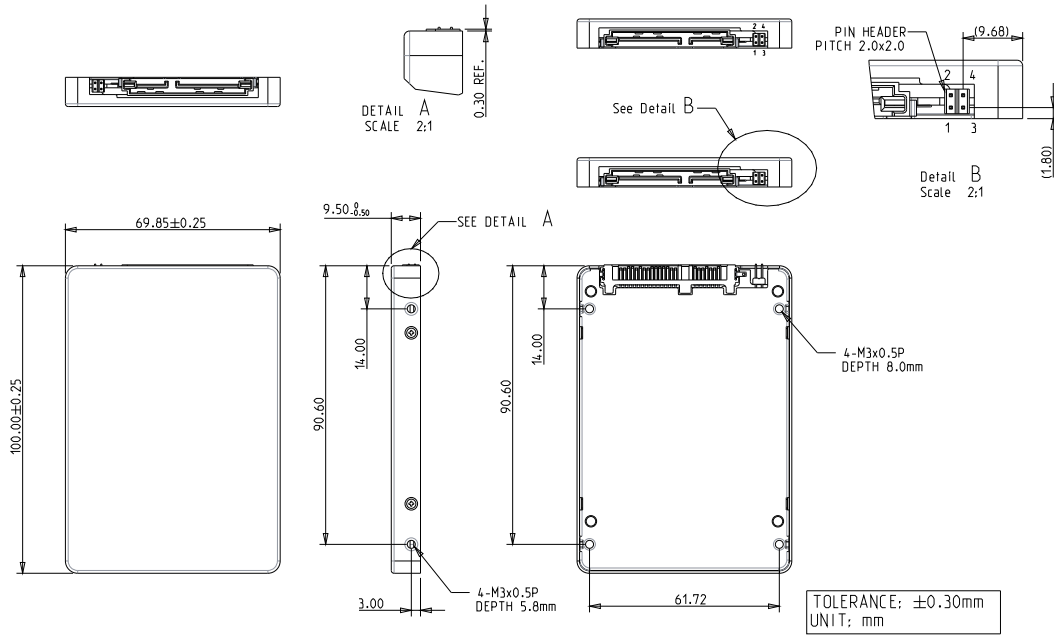
HIGHLIGHT FEATURES

- The World's First SSD Dedicates to System Recovery
- Firmware Level Back Up to Prevent Compatibility Issue
- 24/7 Autonomous Monitoring with No Human
- Supports Hardware GPIO and Software Triggering
- Recovery with a Single Click

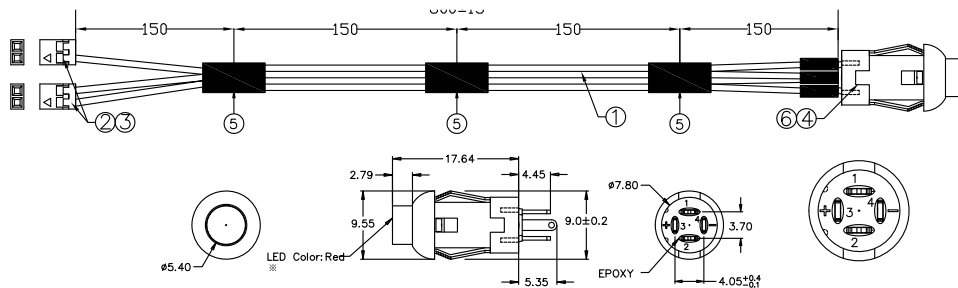
SPECIFICATIONS

Model Name	InnoOSR 2.5" SATA SSD 3T07
Flash Type	3D TLC
Interface	SATA III 6.0 Gb/s
Form Factor	2.5" SSD
Capacity	32GB ~ 2TB
Sequential R / W (MB/sec, max.)	550 / 510
P/E Cycle	3,000
TBW (Max.)	2,400
Storage Temperature	-40°C ~ 85°C
Max. Power Consumption	2.5W
Max. Channels	4
External DRAM Buffer	N
H/W Write Protect	N
S.M.A.R.T.	Y
AES	N
TCG Opal	N
Dimension (W x L x H/mm)	69.85 x 100.0 x 9.5
Vibration	20G@[7 ~ 2000Hz]
Shock	1500G@0.5ms
MTBF	>3 million hours
Warranty	3 Years

DIAGRAM



Cable



*Push-button cable is not included in above standard InnoOSR product PN but can be order separately for trial purpose

ORDER INFO.

Operating Temperature	Standard Grade (0°C ~ 70°C)	Industrial Grade (-40°C ~ 85°C)
32GB	DUS25-32GDK1EC1SFXXG	DUS25-32GDK1EW1SFXXG
64GB	DUS25-64GDK1EC1DFXXG	DUS25-64GDK1EW1DFXXG
128GB	DUS25-A28DK1%C*&FXXG	DUS25-A28DK1%W*&FXXG
256GB	DUS25-B56DK1%C*QFXXG	DUS25-B56DK1%W*QFXXG
512GB	DUS25-C12DK1%C*QFXXG	DUS25-C12DK1%W*QFXXG
1TB	DUS25-01TDK1%C*QFXXG	DUS25-01TDK1%W*QFXXG
2TB	DUS25-02TDK1KCAQFXXG	DUS25-02TDK1KWAQFXXG

% : E : 64 layers 3D TLC / K : 112 layers 3D TLC
 * : PCB version control
 & : S : 1 channel / D : 2 channels / Q : 4 channels
 XXG: 10G~30G, 60G or 90G

HQ (Taiwan) T +886-2-7703-3000 / E sales@innodisk.com

CN T +86-755-2167-3689 / E sales_cn@innodisk.com

US T +1-510-770-9421 / E usasales@innodisk.com

EU T +31-40-3045-400 / E eusales@innodisk.com

JP T +81-3-6667-0161 / E jp_sales@innodisk.com

