

M.2 (P42) 3TE4

HIGHLIGHT FEATURES

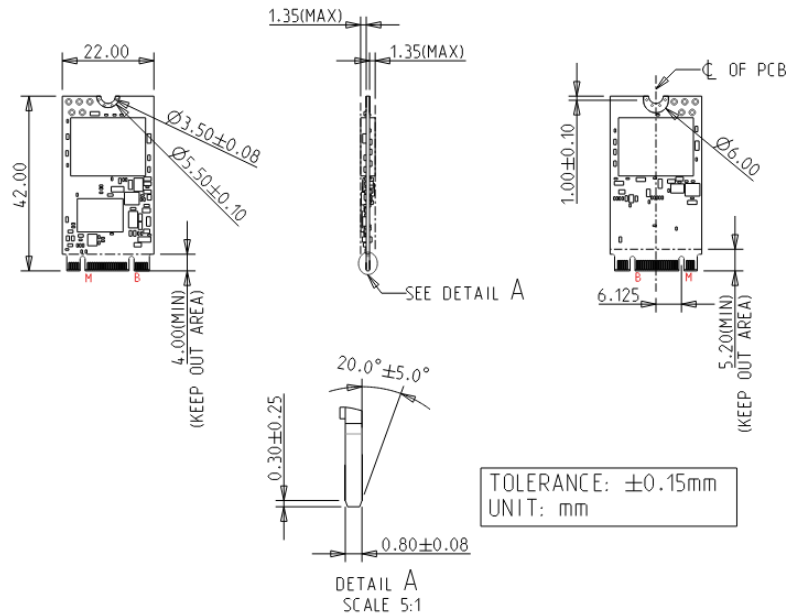
- Powered by PCIe Gen 3 x2, NVMe 1.3
- DRAM-less solution
- Anti-vibration mechanical design
- Dynamic Thermal Throttling
- iPower Guard Protection

SPECIFICATIONS

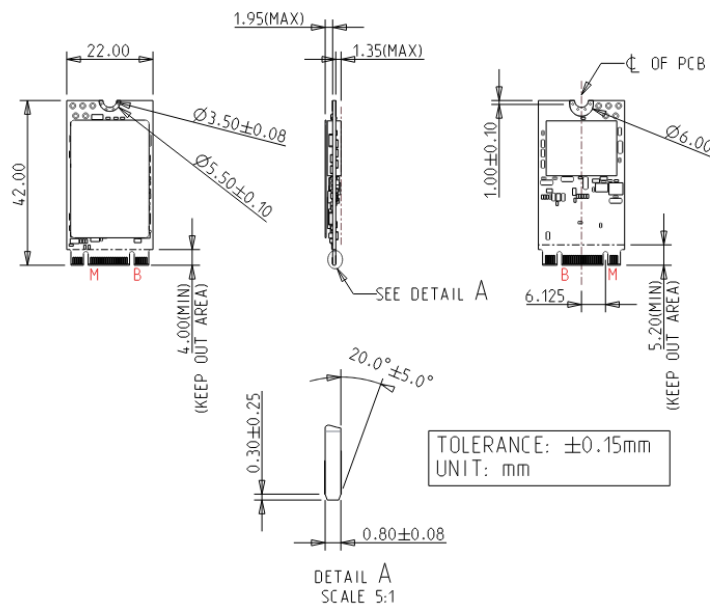
Model Name	M.2 (P42) 3TE4
Flash Type	3D TLC
Interface	PCIe Gen 3 x2
Form Factor	M.2 2242 B+M Key
Capacity	128GB ~ 512GB
Sequential R / W (MB/sec, max.)	1,750 / 1,450
P/E Cycle	3,000
TBW (Max.)	650
Storage Temperature	-40°C ~ 85°C
Max. Power Consumption	3.3W
Max. Channels	4
External DRAM Buffer	N
H/W Write Protect	N
S.M.A.R.T.	Y
AES	Y
TCG Opal	Y
Dimension (W x L x H/mm)	S/T : 22.0 x 42.0 x 3.5 W/T with heat-spreading copper layer : 25.0 x 42.0 x 4.1
Vibration	20G@[7 ~ 2000Hz]
Shock	1500G@0.5ms
MTBF	>3 million hours
Warranty	3 Years

DIAGRAM

ST



WT



ORDER INFO.

Operating Temperature	Standard Grade (0°C ~ 70°C)	Industrial Grade (-40°C ~ 85°C)
128GB	DEM24-A28IB1KCCDF	DEM24-A28IB1KWCDF
256GB	DEM24-B56IB1KCCQF	DEM24-B56IB1KWCQF
512GB	DEM24-C12IB1KCCQF	DEM24-C12IB1KWCQF

For TCG OPAL function, the PN Code 10th ~ 12th will be IB2.

HQ (Taiwan) T +886-2-7703-3000 / E sales@innodisk.com

CN T +86-755-2167-3689 / E sales_cn@innodisk.com

US T +1-510-770-9421 / E usasales@innodisk.com

EU T +31-40-3045-400 / E eusales@innodisk.com

JP T +81-3-6667-0161 / E jp_sales@innodisk.com

innodisk