



M.2 (P42) 4TE3

HIGHLIGHT FEATURES

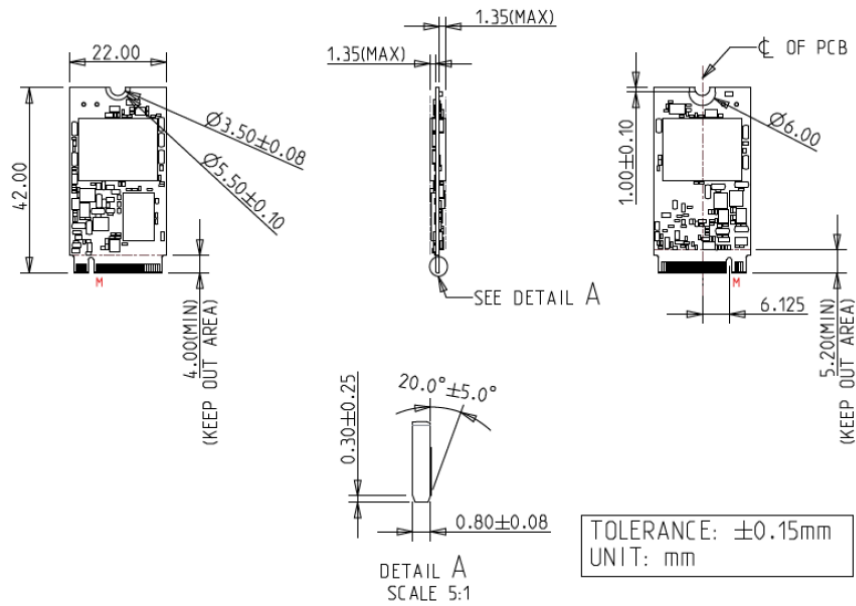
- PCIe Gen 4 x4, NVMe 1.4
- Stable sustained performance
- LDPC ECC engine supported
- 256 bit AES hardware based encryption
- Hybrid write mode with SLC cache enable
- Dynamic Thermal Management

SPECIFICATIONS

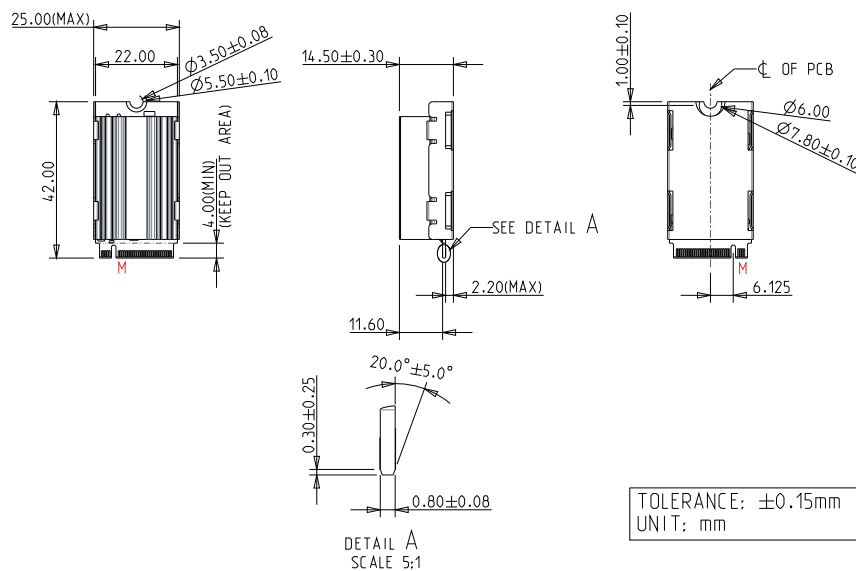
Model Name	M.2 (P42) 4TE3
Flash Type	3D TLC
Interface	PCIe Gen 4 x4
Form Factor	M.2 2242 M Key
Capacity	128GB ~ 2TB
Sequential R / W (MB/sec, max.)	3,650 / 2,850
P/E Cycle	3,000
TBW (Max.)	1,621
Storage Temperature	-40°C ~ 85°C
Max. Power Consumption	4.8W
Max. Channels	4
External DRAM Buffer	N
H/W Write Protect	Y (Optional)
S.M.A.R.T.	Y
AES	Y (Optional)
TCG Opal	Y (Optional)
Dimension (W x L x H/mm)	Pure M.2 : 22.0 x 42.0 x 3.5 W/T with heat sink : 25.0 x 42.0 x 14.5
Vibration	20G@[7 ~ 2000Hz]
Shock	1500G@0.5ms
MTBF	>3 million hours
Warranty	3 Years

DIAGRAM

ST



WT



ORDER INFO.

Operating Temperature	Standard Grade (0°C ~ 70°C)	Industrial Grade (-40°C ~ 85°C)
128GB	DEM24-A28DH1KCADF(W)	DEM24-A28DH1KWADF(W)H
256GB	DEM24-B56DH1KCAQF(W)	DEM24-B56DH1KWAQF(W)H
512GB	DEM24-C12DH1KCAQF(W)	DEM24-C12DH1KWAQF(W)H
1TB	DEM24-01TDH1KCAQF(W)	DEM24-01TDH1KWAQF(W)H
2TB	DEM24-02TDH1KCAQF(W)	DEM24-02TDH1KWAQF(W)H

W : H/W Write Protect

For TCG Opal function, the PN Code 10th ~ 12th will be DH2.

HQ (Taiwan) T +886-2-7703-3000 / E sales@innodisk.com

CN T +86-755-2167-3689 / E sales_cn@innodisk.com

US T +1-510-770-9421 / E usasales@innodisk.com

EU T +31-40-3045-400 / E eusales@innodisk.com

JP T +81-3-6667-0161 / E jp_sales@innodisk.com

innodisk