



## M.2 (P80) 4TS2-P

### HIGHLIGHT FEATURES

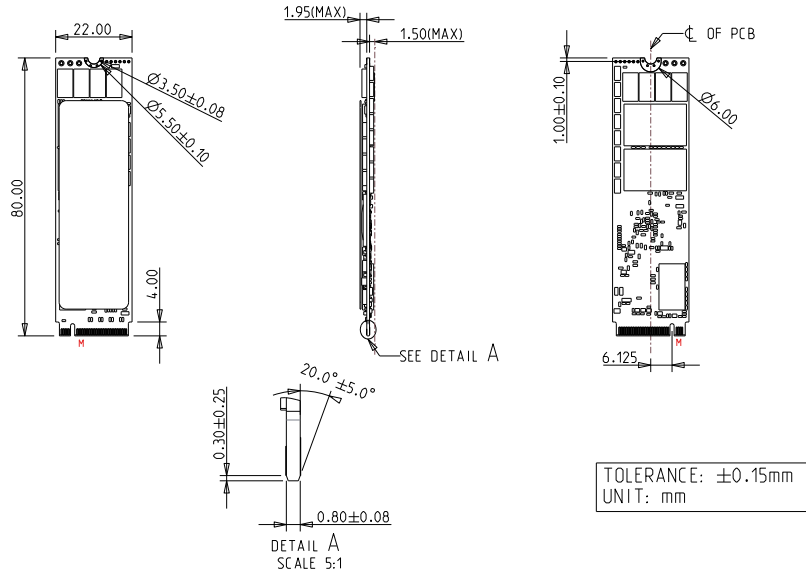
- PCIe Gen 4 x4, NVMe 1.4
- Stable sustained performance
- LDPC ECC engine supported
- Dynamic thermal management
- PLP (iCell) Feature
- 256-bit AES hardware-based encryption
- Support TCG Opal Function (Optional)

### SPECIFICATIONS

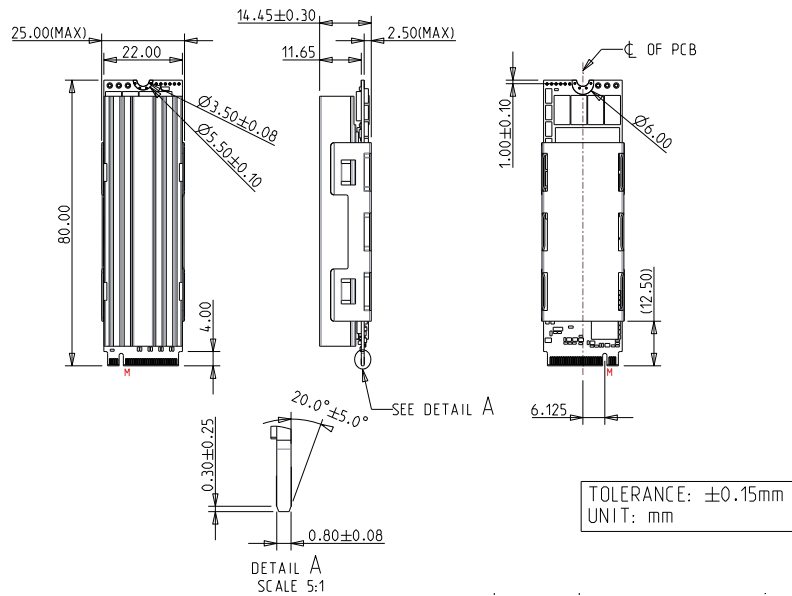
<b>Model Name</b>	M.2 (P80) 4TS2-P
<b>Flash Type</b>	3D TLC
<b>Interface</b>	PCIe Gen 4 x4
<b>Form Factor</b>	M.2 2280 M Key
<b>Capacity</b>	400GB ~ 1.6TB
<b>Sequential R / W (MB/sec, max.)</b>	6,950 / 4,700
<b>P/E Cycle</b>	3,000
<b>TBW (Max.)</b>	5,312
<b>Storage Temperature</b>	-40°C ~ 85°C
<b>Max. Power Consumption</b>	9.5W
<b>Max. Channels</b>	8
<b>External DRAM Buffer</b>	Y
<b>H/W Write Protect</b>	N
<b>S.M.A.R.T.</b>	Y
<b>AES</b>	Y (Optional)
<b>TCG Opal</b>	Y (Optional)
<b>Dimension (W x L x H/mm)</b>	S/T with heat-spreading copper layer : 22.0 x 80.0 x 3.3 W/T with heatsink : 25.0 x 80.0 x 14.45 Pure M.2 : 22.0 x 80.0 x 2.87
<b>Vibration</b>	20G@[7 ~ 2000Hz]
<b>Shock</b>	1500G@0.5ms
<b>MTBF</b>	>3 million hours
<b>Warranty</b>	5 Years

## DIAGRAM

ST



WT



## ORDER INFO.

Operating Temperature	Standard Grade (0°C ~ 70°C)	Industrial Grade (-40°C ~ 85°C)
400GB	DSM28-400DP1KCDEFPH	DSM28-400DP1KWDEFPH
800GB	DSM28-800DP1KCDEFPH	DSM28-800DP1KWDEFPH
1.6TB	DSM28-1T6DP1KCDEFPH	DSM28-1T6DP1KWDEFPH

For TCG OPAL function, the PN Code 10th ~ 12th will be DP2.

HQ (Taiwan) T +886-2-7703-3000 / E sales@innodisk.com

CN T +86-755-2167-3689 / E sales\_cn@innodisk.com

US T +1-510-770-9421 / E usasales@innodisk.com

EU T +31-40-3045-400 / E eusales@innodisk.com

JP T +81-3-6667-0161 / E jp\_sales@innodisk.com

**innodisk**